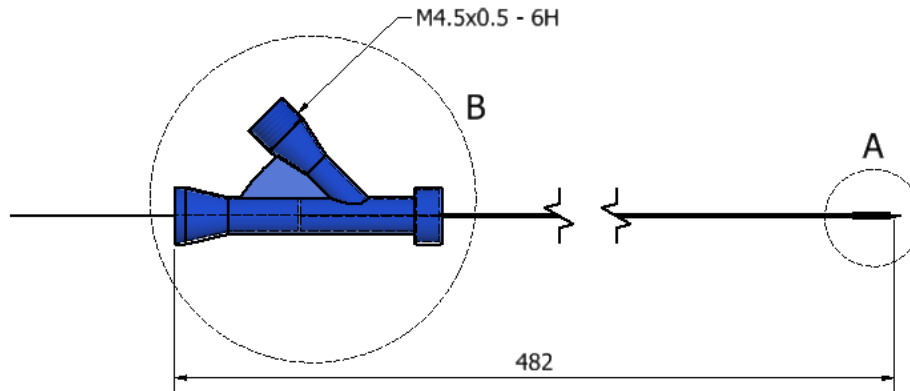


Year 3: Bio Medical Engineering: ASSIGNMENT 3

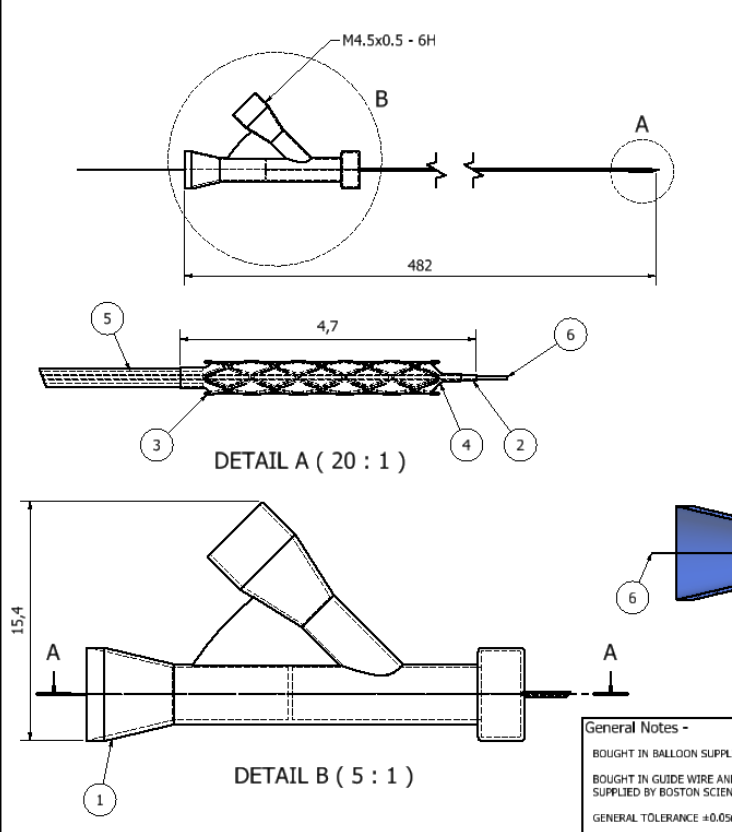


Instructions:


Create on an A3 drawing (using the template you created in year 2) of the Catheter Assembly SUPPLIED on the Q drive and via the website. The drawing should look similar to that shown below. Save the drawing as Assignment 3 dwfx for handing in.

Ensure that you copy the supplied files to your computer

PARTS LIST			
ITEM	QTY	TITLE	DRAWING NUMBER
1	1	Hub	BG-A3-001-2020-PT
2	1	Inflation Catheter	BG-A3-002-2020-PT
3	1	stentrod	BG-T5-001-2020-PT
4	1	Balloon	BOUGHT IN MATERIAL
5	1	Inflation Catheter Outer	BOUGHT IN MATERIAL
6	1	guidewire	BOUGHT IN MATERIAL



General Notes -
BOUGHT IN BALLOON SUPPLIED BY MEDTRONIC.
BOUGHT IN GUIDE WIRE AND OUTER:
SUPPLIED BY BOSTON SCIENTIFIC.
GENERAL TOLERANCE $\pm 0.05\text{mm}$ Unless stated

 CADCRAFT DESIGN Department of Engineering NUI Galway, Galway, Ireland +353 (0)91 50021		Drawing No: BG-A3-001-2020-GA	Rev Date
Project: BIOMEDICAL ENGINEERING ASSIGNMENTS			
Title: CATHETER ASSEMBLY			
SCALE	DRAWN BY	WD	SHEET SIZE
2:1	DATE	14/7/20	A3
	CHKD BY	NQ	SHEET No:
		15/7/20	WD
Do not scale from drawing. All dimensions in mm			